

## AS 307-B

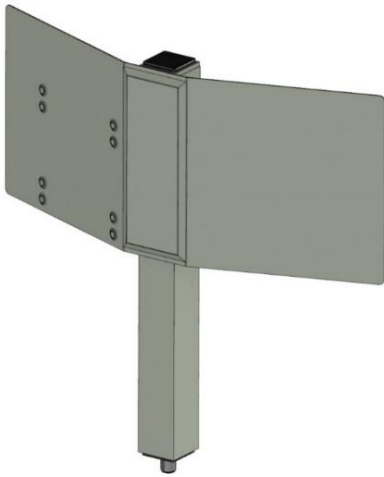
UHF 225-400 MHz

**UHF half wave dipole 225-400 MHz.**

AS 307 is a broadband end-fed dipole.

**Typical use:** Communication defence system.

In service in many navies.

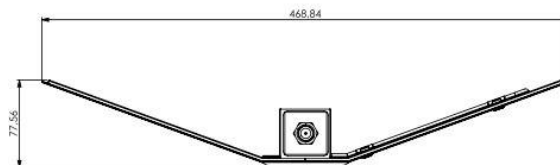


### ■ TECHNICAL CHARACTERISTICS

- Vertical polarisation,
- Omnidirectional,
- Low Radar Cross Section,
- Epoxy glass fibre,
- Corrosion free,
- Shock & Vibration resistant,
- Easy mounting,
- Electrical Direct grounding.

### ■ ASSOCIATED EQUIPMENTS

- Multicoupler units AM 326 and AM 346



## TECHNICAL DATA

Frequency range	225 – 400 MHz
SWR	Typ. ≤2.2
Gain	0 dBd
Polarization	Vertical
Radiation pattern	Omnidirectional
Max. Input power	300 W (225-500 MHz)
<b>Dimensions</b>	
Weight	3.5 kg
Cage	F8329
NNO	5985-14-543-5288

*All values are typical*