

## AS 273

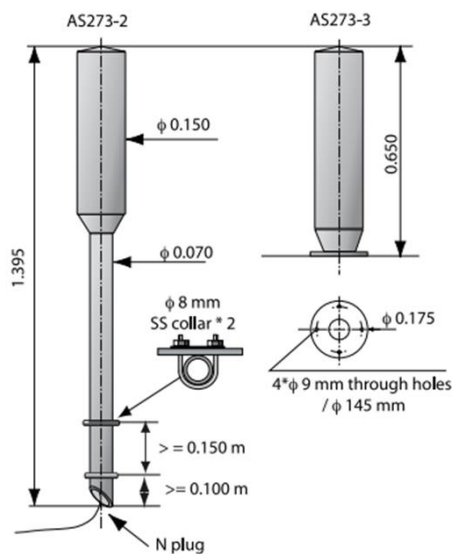
### UHF 225 MHz – 1.3 GHz antenna



#### UHF vertical dipole 225-1300 MHz.

AS 273 is a broadband end-fed dipole.

**Typical use:** Defence communication system.



#### ■ TECHNICAL CHARACTERISTICS

- Vertical polarisation,
- Omnidirectional,
- Low Radar Cross Section,
- Epoxy glass fibre,
- Corrosion free,
- Shock & Vibration resistant,
- Electrical Direct grounding.

#### ■ ASSOCIATED EQUIPMENTS

- Multicoupler units AM 326 and AM 346

#### ■ VERSIONS

- AS 273-2 – including dielectric mast
- AS 273-3 – flange mounting

### TECHNICAL DATA

Frequency range	225 – 1300 MHz
SWR	Typ. $\leq 2.2$
Gain	0 dBd
Polarization	Vertical
Radiation pattern	Omnidirectional
Max. Input power	300 W (225-500 MHz)
<b>Dimensions</b>	
Max. diameter	AS 273-2 : 0.148 m (0.175 m mounting flange) AS 273-3 : 0.148 m
Height	AS 273-2 : 1.395 m (Integrated dielectric mast) AS 273-3 : 0.650 m (Flange mounting)
Weight	AS 273-2 : 5 kg AS 273-3 : 3.5 kg
Cage	F8329

All values are typical

FT- AS 273 – ind E